

ECO LP-10 Transport Overpack



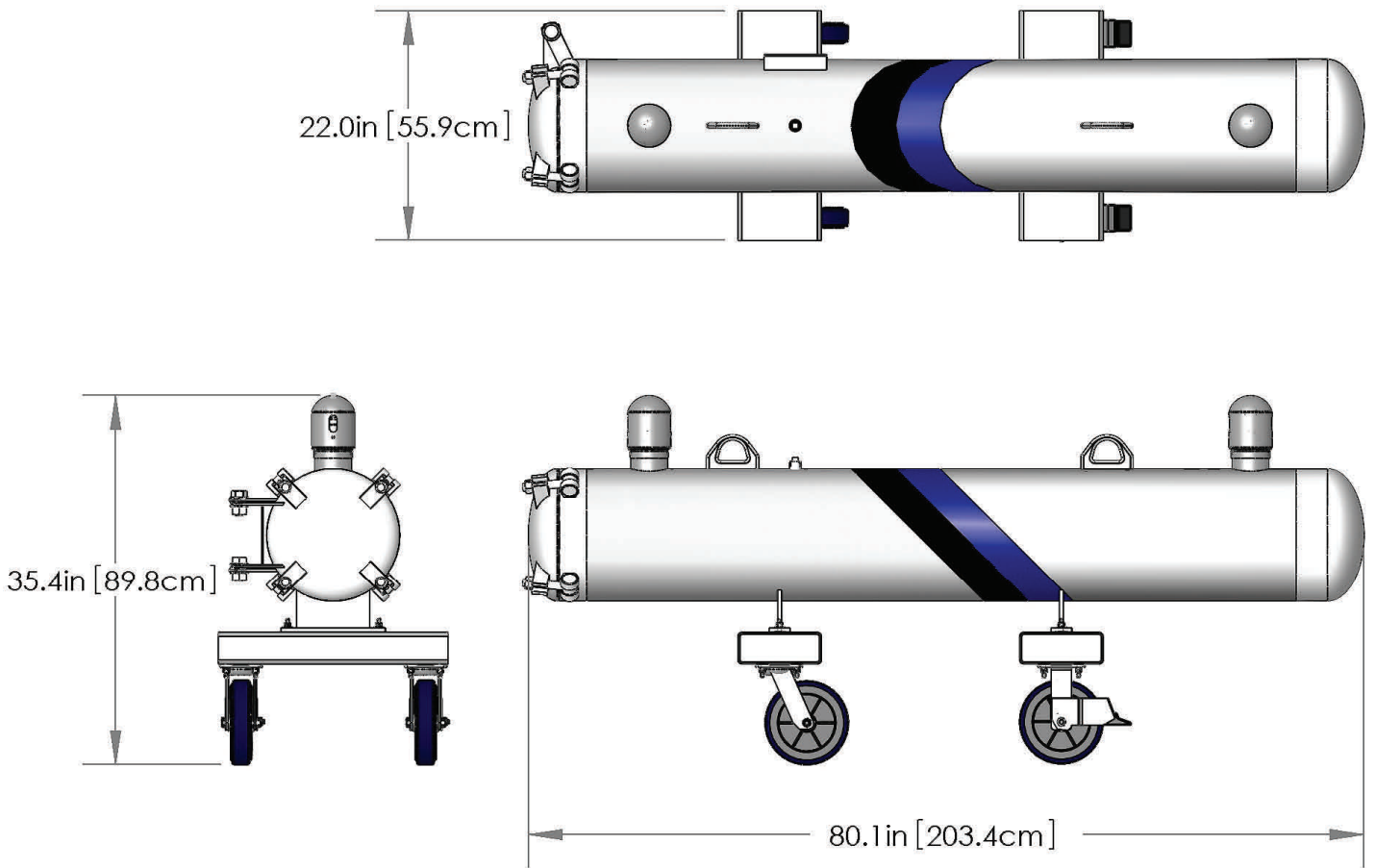
The ECO LP-10 is a DOT-exempt salvage cylinder for transport or storage of leaking, damaged, or deteriorated compressed gas cylinders. The unit was designed specifically to address the transport needs of chlorine and sulfur dioxide cylinders. Fabricated of carbon steel to ASME Section VIII Division 1 standards, the vessel has a working pressure of 255 psig. Gases released inside the salvage cylinder can be withdrawn via top-mounted CGA 820 valves and either directed to an appropriate scrubber or repackaged. The ECO LP-10 vessel weighs only 325 pounds and is easily moved on its castors. It can be used for routine, secure transport of cylinders containing hazardous gases or in emergency response situations which demand rapid containment of a leaking or deteriorated cylinder. The quick-closure hatch is easily opened and closed by one person, even when fully attired in chemical protective clothing.

Features

Benefits

| | |
|---|---|
| DOT-Exempt for all Class 2,3,6.1 Materials* | Permits Legal Transportation of Wide Range of Chemicals |
| Rapid-Use, T-Bolt Closure | Seals and Secures Cylinder Inside Overpack Quickly and Easily |
| Working Pressure: 255 psig | Safely Accepts Cylinders up to 10" Diameter |
| Weight: 325 pounds (vessel and wheels) | Allows Easy Lifting and Movement |
| Castor Wheels (with brakes) | Simple, 1-Person Movement Over Most Smooth Surfaces |
| Dual Access Valves | Easy Removal and Purging of Internal Gas/Vapor |
| Auxiliary Connection Port (1/2" FNPT) | Allows Easy Auxiliary Connections To/From Overpack |
| Integrated Lifting Lugs | Overpack May be Lifted Using Slings and Overhead Hoist |
| Narrow Profile | Allows Easy Movement Through Standard Doorways |
| Rugged Epoxy Coating | Resists Weathering and Wear From Use |
| Protective Cover | Protects System From Moisture and Dust During Storage |

*except acetylene



ECO LP-10 Pressure Vessel Specifications

| | | |
|-------------------------------|---|--|
| Overall Length 80" (2 m) | Working Pressure 255 psig" (17.5 bar) | Internal Volume 5.4 ft ³ (0.15 m ³) |
| Diameter (int) 12.25" (31 cm) | Hydrotest Pressure 382.5 psig" (26.4 bar) | Weight 325 lbs (147 kg) |



1445 Marietta Boulevard
Atlanta, GA 30318

PHONE 404 693 8388
FAX 404 352-3070
EMAIL info@precisiontechnik.com

www.precisiontechnik.com