

# ECO LP-6 Transport Overpack



The ECO LP-6 is a DOT-exempt salvage cylinder for transport or storage of leaking, damaged, or deteriorated compressed gas cylinders. The unit was designed to address the special transport needs of smaller cylinders containing specialty and semi-conductor gases. Fabricated of carbon steel to ASME Section VIII Division 1 standards, the vessel has a working pressure of 510 psig. Gases released inside the salvage cylinder can be withdrawn via a side valve or bottom drain and either directed to an appropriate scrubber or repackaged. The ECO LP-6 vessel weighs only 65 pounds and is mounted on a wheeled cart to facilitate its movement. It can be used for routine, secure transport of cylinders containing hazardous gases or in emergency response situations which demand rapid containment of a leaking or deteriorated cylinder. The quick-closure hatch is easily opened and closed by one person, even when fully attired in chemical protective clothing.

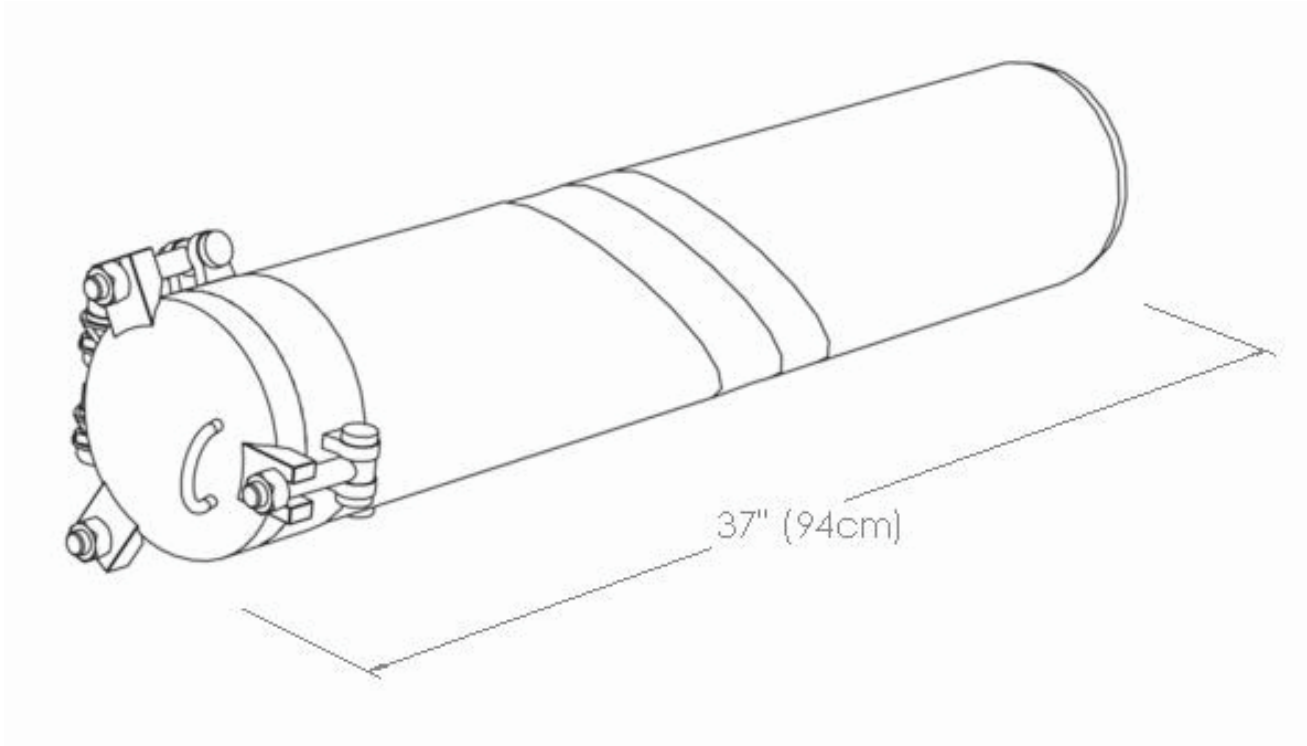
## Features

DOT-Exempt for all Class 2,3,6.1 Materials\*  
 Rapid-Use, T-Bolt Closure  
 Working Pressure: 510 psig  
 Weight: 65 pounds (vessel)  
 Transport Cart

## Benefits

Permits Legal Transportation of Wide Range of Chemi-  
 Seals and Secures Cylinder Inside Overpack Quickly and  
 Safely Accepts Cylinders up to 5.5 " Diameter  
 Allows Easy Lifting and Movement  
 Simple, 1-Person Movement Over Most Surfaces

\*except acetylene



---

## ECO LP-6 Pressure Vessel Specifications

Overall Length 37" (0.9398 m)      Working Pressure 510 psig" (26 bar)      Internal Volume 0.54 ft<sup>3</sup> (0.015 m<sup>3</sup>)

Diameter (int) 5.625" (142 mm)      Hydrotest Pressure 663 psig" (34 bar)      Weight 65 lbs (29 kg)



**PRECISION  
TECHNIK**

1445 Marietta Boulevard  
Atlanta, GA 30318

PHONE 404 693 8388

FAX 404 352-3070

EMAIL [info@precisiontechnik.com](mailto:info@precisiontechnik.com)