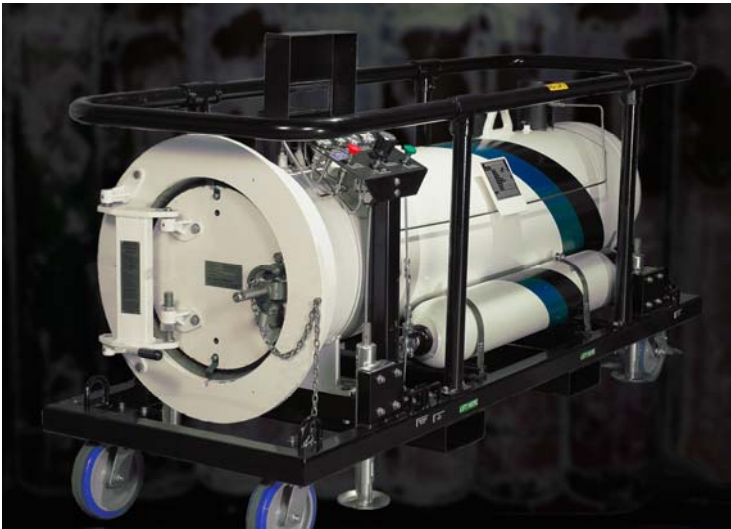


ECO HP-15 Transport Overpack



The ECO HP-15 is a DOT-exempt salvage cylinder for transport or storage of leaking, damaged, or deteriorated compressed gas cylinders. Fabricated of carbon steel to ASME Section VIII Lethal Service standards, the vessel is rated to 1480 psig, enabling it to safely contain virtually all sizes of commercial cylinders up to pressures of 2,500 psig. Gases inside the salvage cylinder can be withdrawn via a valve and either directed to an appropriate scrubber or repackaged. The ECO HP-15 can be safely used for cylinders and other containers up to 15 inches in diameter, can be licensed for use with a specialized cylinder penetrator system, is available with a small cylinder adapter, and can serve as a small-scale chemical reactor. All handling functions are designed for use by personnel dressed out in full chemical protective gear. The unit is particularly useful in first response situations where immediate action is required or in situations where it is necessary to move a leaking or deteriorated cylinder without risking an uncontrolled gas release.

Features

Benefits

DOT-Exempt for all Class 2,3,6.1 Materials*

Permits Legal Transportation of Wide Range of Chemicals

Rapid-Closure Bandlok® Hatch

Seals and Secures Cylinder Inside Overpack with One Motion

High Working Pressure 1,480 psig

Safely Accepts Full-Size Cylinders up to 2,500 psig

Low-Profile Internal Cylinder Guide Tracks

Accepts Cylinders up to 15" Diameter

On-Board Nitrogen Supply

High Volume, Self-Contained Purge Gas Reservoir

Cylinder Loading Platform Integrated With Frame

Rapid, Simple, and Safe Cylinder Loading

Full-Featured Monitoring and Control Interface

Easy, Accessible Control for all Overpack Functions

Easy to Use, Adjustable Cylinder Blocking Plate

Stabilizes Cylinders Inside Overpack With One-Hand Operation

Liquid Drainage Port

Easy Removal of Liquefied Gas or Wash-Out Reagent

Gas Treatment Connection Port

Routes Internal Atmosphere to Sampling/Treatment System

Protective Handrail/Frame With Forklift Sleeves

Permits Maneuvering From All Sides/Protects Piping and Valves

Rugged, Easy-Rolling Solid Wheels

Easy, 2-Person Movement Over Hard Surfaces

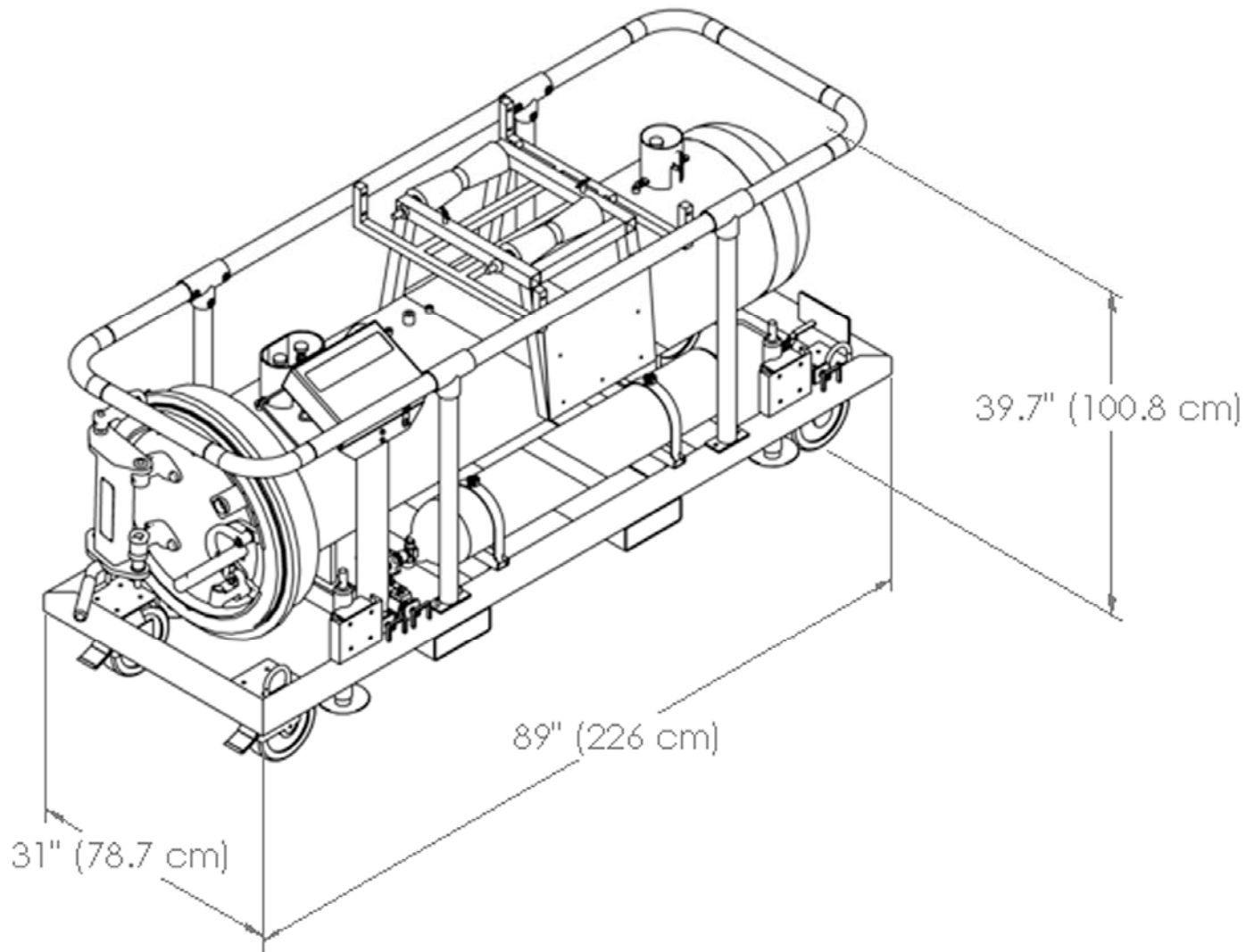
Built-in Transport Stabilizer and Tie-Down System

Minimizes Need For Special Transport Pallets

Protective Cover

Protects System From Dust and Water During Storage

*except acetylene



Pressure Vessel Specifications

Overall Length 86" (2.184 m)

Working Pressure 1480 psig" (102 bar)

Internal Volume 9.3 ft³ (0.26 m³)

Diameter (ext) 18" (457 mm)

Hydrotest Pressure 1924 psig" (133 bar)

Weight 1,700 lbs (771 kg)



1445 Marietta Boulevard
Atlanta, GA 30318

PHONE 404 693 8388

FAX 404 352-3070

EMAIL info@precisiontechnik.com

www.precisiontechnik.com